

FEPA STANDARD

GRINDING WHEELS SHAPES

Toolal defines wheel types and dimensions according to the FEPA rules.

This catalogue shows the most common shapes and dimensions in accordance with those rules.

To order wheels please refer to the letter in the drawings, as shown on the drawing of the specific wheel you wish to order.

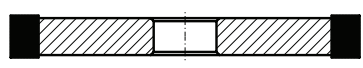
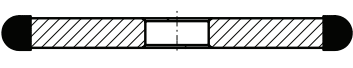
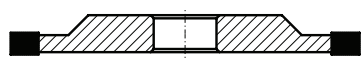
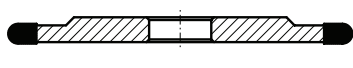
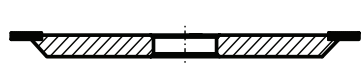
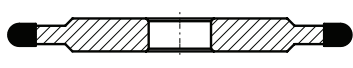
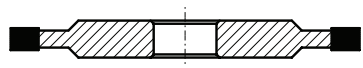
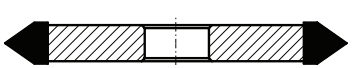
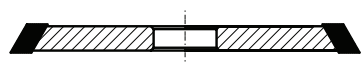
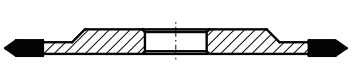
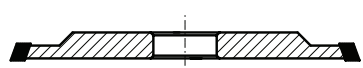
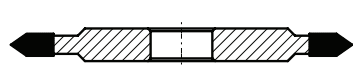
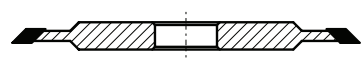
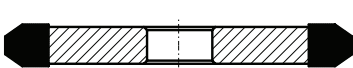
Sample order for 14A1 wheel:

Type	D	U	X	T	H	Specification
14A1	150	5	3	8	20	

Sample order for 1E1 wheel:

Type	D	U	X	T	H	Specification
1E1	150	6	2	6	25	

GRINDING WHEELS COMMON SHAPES DESIGNATIONS

Cod of designation	Outline drawing	Cod of designation	Outline drawing
1A1		1F1	
3A1		3F1	
4A9		14F1	
14A1		1E1	
1V1		3E1	
3V1		14E1	
14V1		1D1	

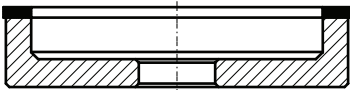
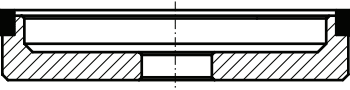


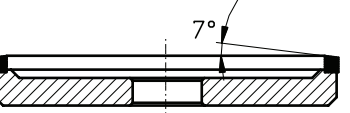
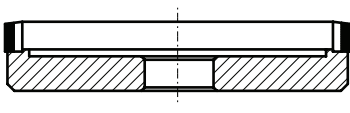

FEPA STANDARD

GRINDING WHEELS COMMON SHAPES DESIGNATIONS

Cod of designation	Outline drawing	Cod of designation	Outline drawing
3D1		11A9	
14D1		11V5	
1L1		12V9	
3L1		12A2	
14L1		12A2	
9A3		12A9	
CENTERLESS		12V5	
		4V2	
1A1R		4A2	
11V9		4BT9	
		14F1	
11A2		14F1	

FEPA STANDARD

GRINDING WHEELS COMMON SHAPES DESIGNATIONS

Cod of designation	Outline drawing	Cod of designation	Outline drawing
6A2		6A9	
4V2		12V9	
6A2		6AA2	
VOLD 9		14F1	