

DIAMOND TOOLS GRINDING WHEELS MACHINES



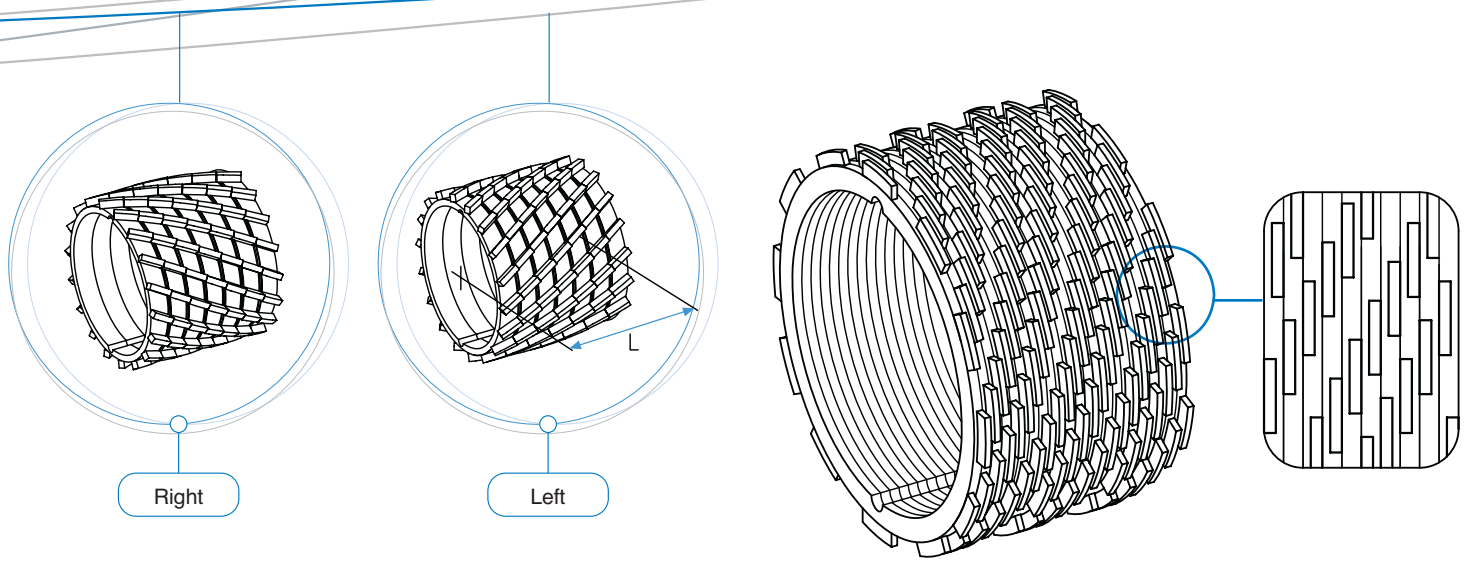
# Diamond Tools

Construction applications

# Calibration Tools

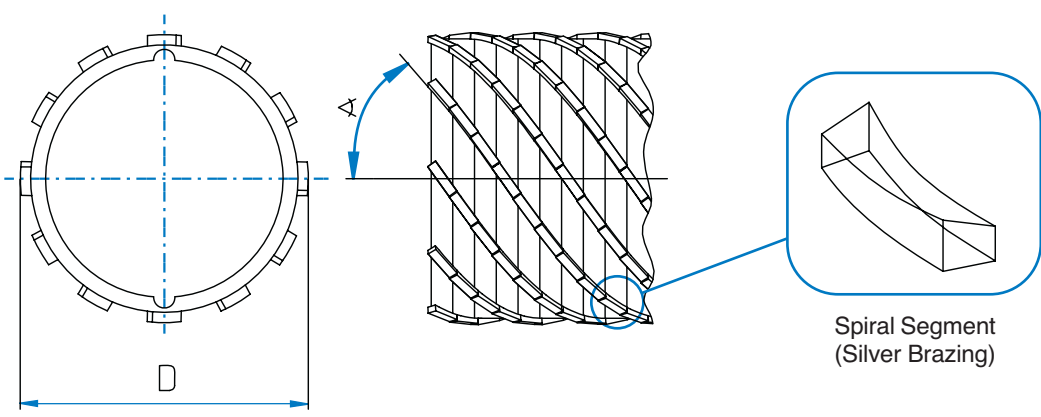


 **TOOLGAL**  
Industrial Diamond Tools



Length, Diameter, Angle and Number of spirals can be changed per customers' specifications.

Straight Segments



Spiral Segment (Silver Brazing)

## Calibration Rollers

For granite and artificial stone processing